

# Specifications

## AR35 and AR30 R32

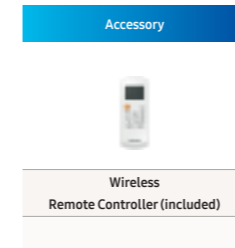
- Digital Inverter Compressor.
- HD Filter system.
- 2-Way Auto Swing function to automatically control airflow direction.
- Fin Protector to protect condenser and optimise Heat Exchanger performance.



		AR35				AR30		
Indoor Unit		AR09TXHQASINEU	AR12TXHQASINEU	AR18TXHQASINEU	AR24TXHQASINEU	AR09TXHQBWKNEU	AR12TXHQBWKNEU	
Outdoor Unit		AR09TXHQASIXEU	AR12TXHQASIXEU	AR18TXHQASIXEU	AR24TXHQASIXEU	AR09TXHQBWKXEU	AR12TXHQBWKXEU	
<b>Capacity</b>								
Capacity	Cooling (Nominal)	kW	2.6	3.5	5.3	7.0	2.6	3.5
	Cooling (Min-Max)	kW	0.9-3.4	1.1-4.2	1.8-6.1	2.1-8.0	0.9-3.4	1.1-4.2
	Heating @ +7 °C	kW	2.9	3.8	5.3	7.3	2.9	3.8
	Heating (Min-Max)	kW	0.8-3.4	1.1-4.2	1.4-6.7	1.6-8.8	0.8-3.4	1.1-4.2
	Heating @ -5 °C	kW	TBA	TBA	TBA	TBA	TBA	TBA
	Heating @ -10 °C	kW	TBA	TBA	TBA	TBA	TBA	TBA
	Heating @ -15 °C	kW	TBA	TBA	TBA	TBA	TBA	TBA
<b>Performance</b>								
Energy Efficiency Cooling	SEER <sup>1</sup>	W/W	6.3/ <span style="color: green;">A++</span>	6.1/ <span style="color: green;">A++</span>	7.1/ <span style="color: green;">A++</span>	6.1/ <span style="color: green;">A++</span>	6.3/ <span style="color: green;">A++</span>	6.1/ <span style="color: green;">A++</span>
	Power Consumption	kWh/a	156	211	256	412	156	211
	Pdesignc	kW	2.8	3.6	5.2	7.0	2.8	3.6
	EER	W/W	3.43	2.90	3.43	2.87	3.43	2.90
Energy Efficiency Heating	SCOP <sup>1</sup>	W/W	4.0/ <span style="color: orange;">A+</span>	3.9/ <span style="color: orange;">A</span>	4.0/ <span style="color: orange;">A+</span>	3.9/ <span style="color: orange;">A</span>	4.0/ <span style="color: orange;">A+</span>	3.9/ <span style="color: orange;">A</span>
	Power Consumption	kWh/a	910	969	1,435	1,723	910	969
	Pdesignh (average)	kW	2.6	2.7	4.1	4.8	2.6	2.7
	COP <sup>1</sup>	W/W	3.91	3.50	3.56	2.71	3.91	3.50
Moisture Removal	l/h	1.0	1.2	1.8	2.6	1.0	1.2	
Maximum Airflow (Cooling)	Indoor Unit	m <sup>3</sup> /min	7.77	9.00	14.00	16.33	7.77	9.00
	Outdoor Unit	m <sup>3</sup> /min	TBA	TBA	TBA	TBA	TBA	TBA
Sound Power	Indoor Unit (Cooling)	dB(A)	55	55	55	59	55	55
	Outdoor Unit (Cooling)	dB(A)	62	65	63	68	62	65
Sound Pressure	Indoor Unit High/Silent Mode	dB(A)	36/20	37/22	42/25	43/28	36/20	37/22
	Outdoor Unit High	dB(A)	49	50	51	56	49	50
Operating Temperature Range	Cooling	°C	-10-46	-10-46	-10-46	-10-46	-10-46	-10-46
	Heating	°C	-15-24	-15-24	-15-24	-15-24	-15-24	-15-24
<b>Electrical Data</b>								
Power Source	Φ, V, Hz	1Φ, 220-240 V, 50 Hz	1Φ, 220-240 V, 50 Hz	1Φ, 220-240 V, 50 Hz	1Φ, 220-240 V, 50 Hz	1Φ, 220-240 V, 50 Hz	1Φ, 220-240 V, 50 Hz	1Φ, 220-240 V, 50 Hz
Compressor Type	Outdoor Unit	Type	Digital Inverter	Digital Inverter	Digital Inverter	Digital Inverter	Digital Inverter	Digital Inverter
Power Consumption	Cooling	W	3.3	5.3	6.9	10.4	3.3	5.3
	Heating	W	3.2	4.7	6.4	11.7	3.2	4.7
Operating Current	Cooling	A	770.0	1,213.0	1,539.0	2,450.0	770.0	1,213.0
	Heating	A	750.0	1,088.0	1,480.0	2,700.0	750.0	1,088.0
<b>Dimensions</b>								
Net Dimensions (W x H x D)	Indoor Unit	mm	805 x 285 x 194	805 x 285 x 194	957 x 302 x 213	1,040 x 327 x 220	805 x 285 x 194	805 x 285 x 194
	Outdoor Unit	mm	720 x 495 x 270	720 x 495 x 270	800 x 554 x 333	845 x 702 x 363	720 x 495 x 270	720 x 495 x 270
Net Weight	Indoor Unit	kg	8.1	8.1	10.5	12.5	8.1	8.1
	Outdoor Unit	kg	23.2	23.2	34.0	52.0	23.2	23.2
<b>Refrigerant</b>								
Refrigerant	Type	R32 (contains fluorinated greenhouse gases. GWP = 675)						
Charging (for 5 m)	kg	0.55	0.55	1.00	1.60	0.55	0.55	
	tCO <sub>2</sub> e	0.37	0.68	0.68	1.10	0.37	0.37	
	g/m	12	12	12	12	12	12	
Piping Connections	Liquid Pipe	ø, inch	1/4	1/4	1/4	1/4	1/4	1/4
	Gas Pipe	ø, inch	3/8	3/8	3/8	3/8	3/8	3/8
Piping Length	Min/Max (ODU to IDU)	m	25	25	30	50	25	25
Piping Height	Max	m	10	10	20	25	10	10
Piping Connections	Drain Pipe	ø, mm	TBA	TBA	TBA	TBA	TBA	TBA



		AR35				AR30		
Indoor Unit		AR09TXHQASINEU	AR12TXHQASINEU	AR18TXHQASINEU	AR24TXHQASINEU	AR09TXHQBWKNEU	AR12TXHQBWKNEU	
Outdoor Unit		AR09TXHQASIXEU	AR12TXHQASIXEU	AR18TXHQASIXEU	AR24TXHQASIXEU	AR09TXHQBWKXEU	AR12TXHQBWKXEU	
<b>Functions</b>								
Airflow	Air Direction Control (Up/Down)	Auto	Auto	Auto	Auto	Auto	Auto	
	Air Direction Control (Left/Right)	Manual	Manual	Manual	Manual	Manual	Manual	
	Airflow Control Step (Cool/Fan)	3/3	3/3	3/3	3/3	3/3	3/3	
	Auto Fan Speed	●	●	●	●	●	●	
Air Purification	Tri-Care Filter							
	HD Filter	●	●	●	●	●	●	
	Auto Clean (Self-Cleaning)							
Operating Mode	2-Step Cooling							
	Fast Cooling	●	●	●	●	●	●	
	Comfort							
	D'light Cool							
	Good Sleep	●	●	●	●	●	●	
	Dehumidification	●	●	●	●	●	●	
	Auto	●	●	●	●	●	●	
Other Functions	Fan	●	●	●	●	●	●	
	Quiet							
	Wi-Fi Control							
24-Hour Timer/Real Timer	24-Hour Timer/Real Timer	●	●	●	●	●	●	
	Indoor Temperature Display	●	●	●	●	●	●	
	Display On/Off	●	●	●	●	●	●	
	Beep On/Off	●	●	●	●	●	●	
	Auto Changeover							
	Auto Restart	●	●	●	●	●	●	

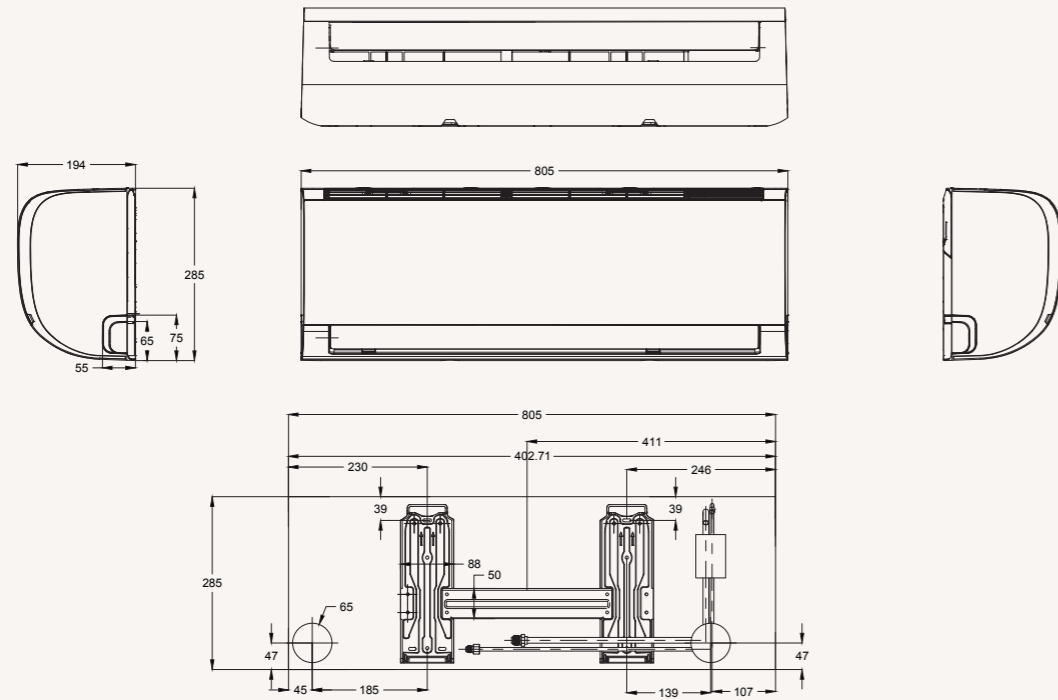


<sup>1</sup>Energy labels as shown are according to EU No 626/2011 (LOT10) label classification 2019, on a scale from D to A+++.

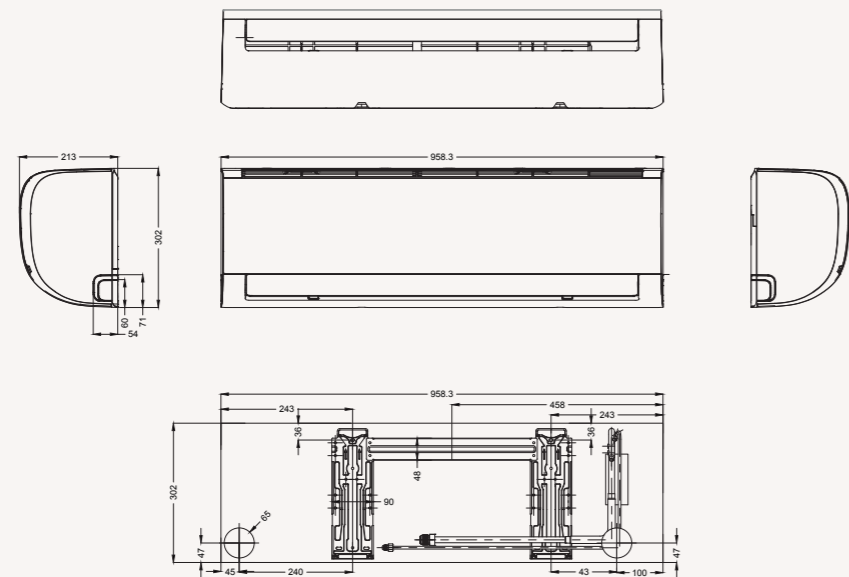
# Dimensional drawings

## AR35 and AR30

AR09/12TXHQASINEU



AR18TXHQASINEU



## AR35 and AR30

AR24TXHQASINEU

